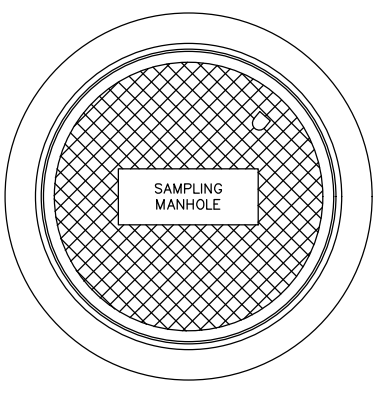
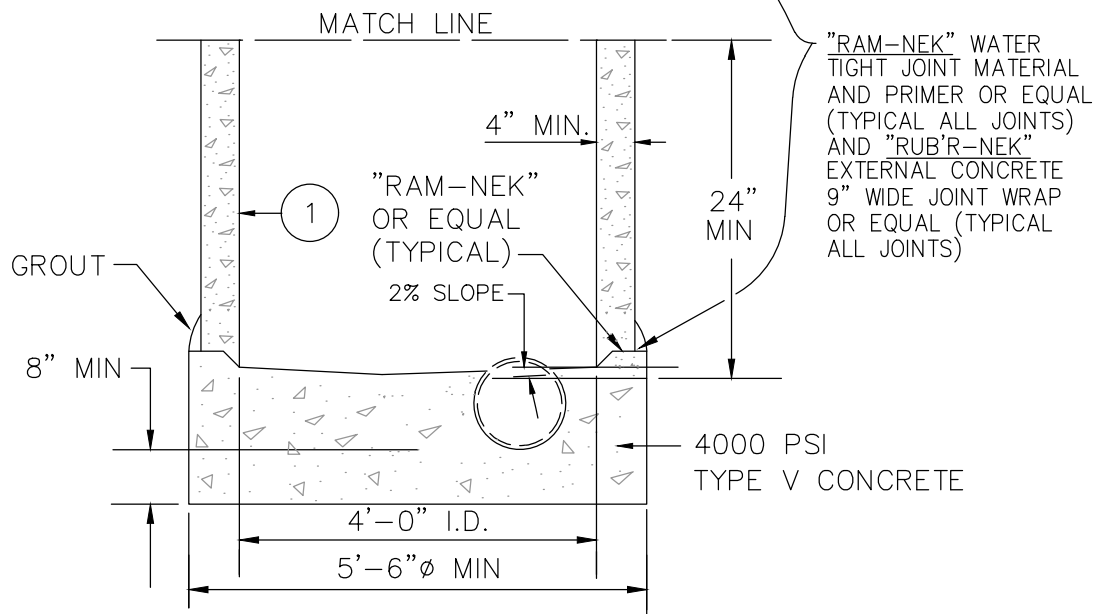


MANHOLE DEPTH LESS THAN 5'

MANHOLE DEPTH GREATER THAN 5'



COVER NO SCALE



"RAM-NEK" WATER TIGHT JOINT MATERIAL AND PRIMER OR EQUAL (TYPICAL ALL JOINTS) AND "RUB'R-NEK" EXTERNAL CONCRETE 9" WIDE JOINT WRAP OR EQUAL (TYPICAL ALL JOINTS)

NOTE:

- 1) STANDARD 48" DIAMETER PRECAST MANHOLE SECTION WITHOUT STEPS. HEIGHT AS REQUIRED. SECTIONS SHALL CONFORM TO ASTM C 478
- 2) PRECAST MANHOLE CAP DESIGNED FOR H-20 FVT LOADING.
- 3) D&L FOUNDRY STD. A-1024 MANHOLE RING AND COVER OR APPROVED EQUAL WITHIN 5' OF PROPERTY LINE.
- 4) ECCENTRIC CONE SECTION. MANHOLE OPENING TO BE PLACED OVER CHANNEL
- 5) WROUGHT STEEL STRAP WITH 3/8" CINCH ANCHORS-GRINNELL FIG. 262 FOR 2" PIPE

- 1) FLEXIBLE PIPE ONLY – AN APPROVED WATER STOP SHALL BE INSTALLED ON ALL FLEXIBLE PIPE ENTERING OR EXITING SAMPLING MANHOLE.
- 2) ECCENTRIC CONE SHALL BE POSITIONED IN SUCH A MANNER OVER CENTER OF PIPE FOR INSTALLATION OF FLOW METER SENSOR BRACKET.

WEST BAY	
SANITARY DISTRICT	
SAMPLING MANHOLE	
APPROVED BY:	
/s/ - SERGIO RAMIREZ	06-28-23
GENERAL MANAGER	DATE: