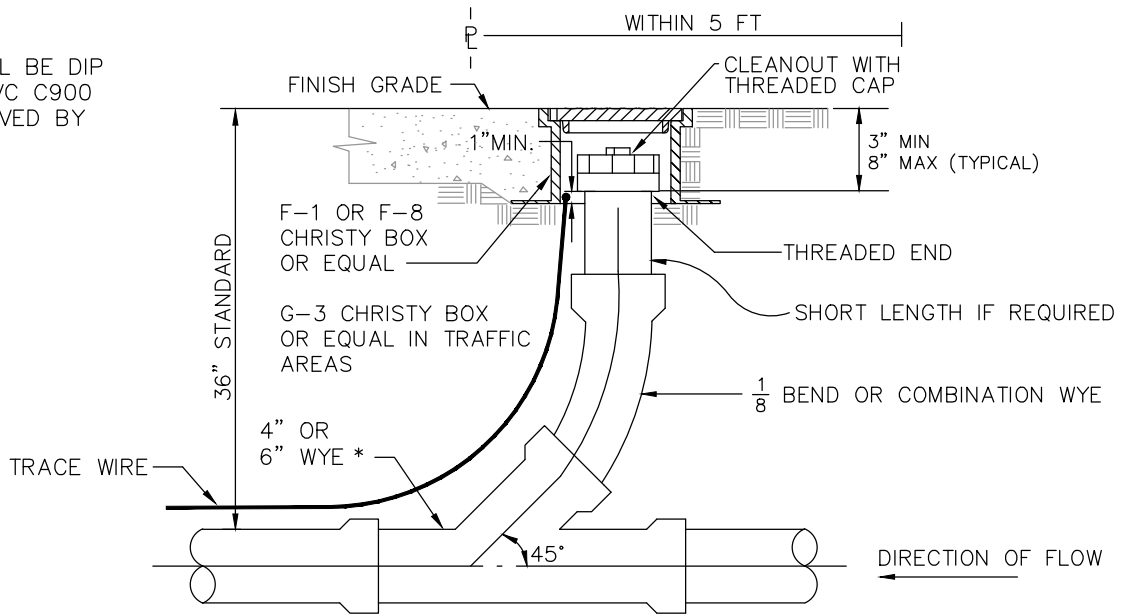
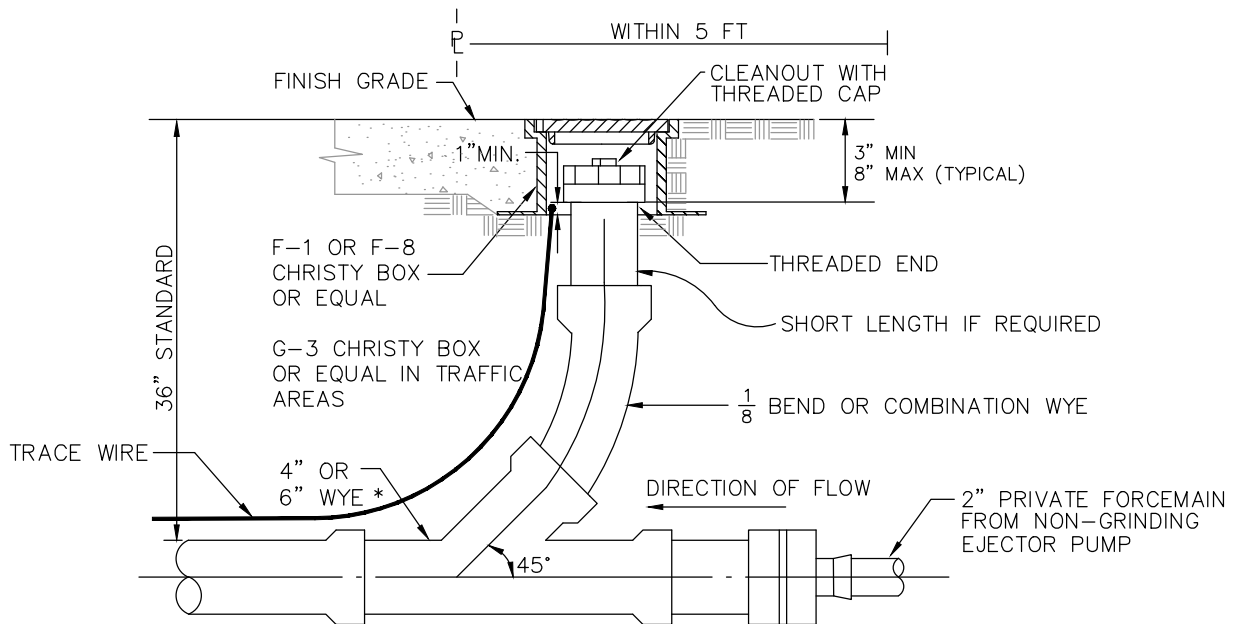


PIPE MATERIAL SHALL BE DIP CLASS 50 OR 51, PVC C900 DR18, OR AS APPROVED BY DISTRICT MANAGER.



NOTE: SEWER PIPE JOINTS SHALL BE "BELL AND SPIGOT" JOINTS

VERTICAL RISER/GRAVITY SEWER



NOTE: SEWER PIPE JOINTS SHALL BE "BELL AND SPIGOT" JOINTS

VERTICAL RISER/PRIVATE FORCEMAIN TO GRAVITY SEWER

NOTES:

- 1) THE CLEAN OUT ASSEMBLY SHALL BE THE SAME SIZE AS THE LATERAL SEWER IT SERVICES.
- 2) COVERS SHALL BE C.I. FOR STREETS, ALLEYS OR DRIVES, OTHERWISE FIBRELYTE OR CONCRETE FOR NON-TRAFFIC USE.
- 3) #8 GAUGE SOLID AND COATED COPPER WIRE FOR TRACING PURPOSES SHALL BE PLACED ON ALL NEW LATERALS AND REPLACEMENT LATERALS WHEN EXCAVATION IS FROM MAIN LINE TO THE PROPERTY LINE CLEANOUT. WIRE TO BE BROUGHT TO RISER WITH TWO FEET COILED INSIDE BOX.
- 4) ALL CLEAN OUT BOX LIDS SHALL BE MARKED WITH A LETTER "S" OR THE WORD "SEWER".
- 5) WYE SHALL BE INSTALLED AT OR WITHIN 5 FEET OF PROPERTY LINE.

- 6) CONTRACTOR SHALL INSTALL BEDDING AND BACKFILL MATERIAL AS SHOWN ON WEST BAY SANITARY DISTRICT DETAIL NO. 8.
- 7) CLEANOUT BOX SHALL BE VISIBLE AND ACCESSIBLE AT ALL TIMES.

WEST BAY
SANITARY DISTRICT

SERVICE LATERAL CLEANOUT

APPROVED BY:

/S/ - SERGIO RAMIREZ
GENERAL MANAGER

06-28-23
DATE: